
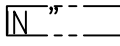


FINAL DESIGN 完工图			63,600MT DWT PANAMAX BULKER WITH TRAINING PURPOSE		SC4622(WH)-461-02	
CURRENT REVISION 当前版本		A	CURRENT STATUS 当前状态		0	
DESIGNED 设计		黄运佳	DATE 日期			
CHECKED 校对		汤瑾?	DATE 日期			
VERIFIED 审核		汤瑾?	DATE 日期			
APPROVED 批准		曹山林	DATE 日期		2016.01.07	
FUEL OIL TRANSFER SYSTEM 燃油输送系统				HULL NO.:AVIC398		
				WEIGHT 重量		SCALE 比例
PAGE 页数		1 / 17		TOT. AREA 总面积		1.1875 m ²
				 SHANGHAI MERCHANT SHIP DESIGN & RESEARCH INSTITUTE 上海船舶研究设计院		

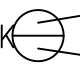
This drawing and the information contained is the exclusive property of SDARI and must not be copied or handed over to third parties without our written permission.
 本图(文件)及所含内容的知识产权属于上海船舶研究设计院(SDARI)。未经本院书面许可, 任何人不得复制或转交第三方。

AREA: 0.0625 m²

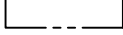
TECHNICAL REQUIREMENTS

1. ANNOTATED SIZES OF PIPES IN THE DRAWING TO BE NOM.DIA.(mm) OR OUT. DIAM. x THICKNESS (mmxmm).
2. WHERE PIPES PENETRATE THROUGH DECKS OR WATER TIGHT BULKHEADS, TO BE FITTED WITH PENETRATION PIECES ACCORDING TO CB/T3480-92 OR SHIPYARD'S STANDARD.
3. THE CONN. SIZES OF VALVES AND FLANGES TO CONFORM TO ISO STANDARD.
4. THE FITTINGS MARKED WITH "*" OR  " ARE SUPPLIED WITH U
5. THE MATERIAL OF GAUGE PIPES TO BE SEAMLESS COPPER.
6. HYDRAULIC TEST:

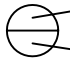
NAME	DESIGN PRESSURE (MPa)	BEFORE INSTALLATION ON BOARD (MPa)	AFTER INSTALLATION ON BOARD (MPa)
FO TRAN. PIPE	0.7	1.05	1.05

7. THE MARK  ITEM MARK
ITEM NO. "IST OF ENGINE ROOM AUTOMATION ITEM"
8. THE H.F.O. PIPING MUST BE PROVIDED WITH STEAM TRACING PIPE AND TO BE COVERED WITH INSULATION MATERIALS.
9. THE ALARM BOARD TO BE SET NEAR VALVE FT50/FT51 TO REMIND "THE VALVE TO BE KEPT CLOSE AT SEA".

技 术 要 求

1. 图中所注管子尺寸为公称通径 (mm)或外径×壁厚 (mm×mm)。
2. 管子通过甲板或水密舱壁时,应按 CB/T3480-92 或船厂标准设置通舱管件。
3. 所有的阀和法兰的连接尺寸应符合 标准S0
4. 图中注有*记号和“  ”中的附件系设备随带。
5. 仪表管路材料为无缝铜管。
6. 压力试验:

名 称	设计压力 (MPa)	装船前 (MPa)	装船后 (MPa)
燃油输送管	0.7	1.05	1.05

7. 图中自动化符号  项目代号
项目序号 详见“机舱自动化项目明细表”
8. 燃料油管系需设蒸汽伴行管,在外包绝热材料。
9. 报警板需设在阀FTV50/FTV51附件,“以便提醒此阀在海上航行时需保持关闭状态”。

FUEL OIL TRANSFER SYSTEM 燃油输送系统								SC4622(WH)-461-02		PAGE
										4 / 17
ITEM NO. 编号	STANDARD NO. OR DRAWING NO. 标准号或图号	NAME 名称	DN 通径 mm	PN 压力 MPa	MATERIAL 材料	QTY. 数量	WT. 重量 kg	WORDS ON NAME PLATE 铭牌刻字内容	DELIVERY 供货	REMARKS 备注
FTV01		BUTT. VALVE 蝶阀	200	1.0	CAST STEEL 铸钢	1		H.F.O. SHORE CONN. (P)		
FTV02		BUTT. VALVE 蝶阀	200	1.0	CAST STEEL 铸钢	1		H.F.O. SHORE CONN. (S)		
FTV03		BUTT. VALVE 蝶阀	100	1.0	CAST STEEL 铸钢	1		L.S.M.G.O. SHORE CONN. (P)		
FTV04		BUTT. VALVE 蝶阀	100	1.0	CAST STEEL 铸钢	1		L.S.M.G.O. SHORE CONN. (S)		
FTV05		BUTT. VALVE 蝶阀	100	1.0	CAST STEEL 铸钢	1		M.D.O. SHORE CONN. (P)		
FTV06		BUTT. VALVE 蝶阀	100	1.0	CAST STEEL 铸钢	1		M.D.O. SHORE CONN. (S)		
FTV07		REMOTE-CONL BUTT. V/V 遥控蝶阀	200	1.0	CAST STEEL 铸钢	1		NO.1 H.F.O. TK(P) FILL.		
FTV08		REMOTE-CONL BUTT. V/V 遥控蝶阀	200	1.0	CAST STEEL 铸钢	1		NO.2 H.F.O. TK(P) FILL.		
FTV09		REMOTE-CONL BUTT. V/V 遥控蝶阀	200	1.0	CAST STEEL 铸钢	1		NO.2 H.F.O. TK(S) FILL.		
FTV10		REMOTE-CONL BUTT. V/V 遥控蝶阀	200	1.0	CAST STEEL 铸钢	1		NO.1 H.F.O. TK(S) FILL.		
FTV11		BUTT. VALVE 蝶阀	100	1.0	CAST STEEL 铸钢	1		M.D.O. TK FILL.		
FTV12		BUTT. VALVE 蝶阀	100	1.0	CAST STEEL 铸钢	1		L.S.M.G.O. TK FILL.		

FUEL OIL TRANSFER SYSTEM 燃油输送系统								SC4622(WH)-461-02		PAGE
										5 / 17
ITEM NO. 编号	STANDARD NO. OR DRAWING NO. 标准号或图号	NAME 名称	DN 口径 mm	PN 压力 MPa	MATERIAL 材料	QTY. 数量	WT. 重量 kg	WORDS ON NAME PLATE 铭牌刻字内容	DELIVERY 供货	REMARKS 备注
FTV13		BUTT. VALVE 蝶阀	125	1.0	CAST STEEL 铸钢	1		M.D.O TRANS. P. TO SHORE		
FTV14		BUTT. VALVE 蝶阀	80	1.0	CAST STEEL 铸钢	1		L.S.M.G.O. TRANS. P. TO SHORE		
FTV15		BUTT. VALVE 蝶阀	150	1.0	CAST STEEL 铸钢	1		H.F.O. TRANS. P. TO SHORE		
FTV16	AS25015 GB/T 587-2008	STOP VALVE 截止阀	15	2.5	BRONZE 青铜	1	5.4	H.F.O. SHORE CONN. (P) DRAIN		
FTV17	AS25015 GB/T 587-2008	STOP VALVE 截止阀	15	2.5	BRONZE 青铜	1	5.4	H.F.O. SHORE CONN. (S) DRAIN		
FTV18	AS25015 GB/T 587-2008	STOP VALVE 截止阀	15	2.5	BRONZE 青铜	1	5.4	L.S.M.G.O. SHORE CONN. (P) DRAIN		
FTV19	AS25015 GB/T 587-2008	STOP VALVE 截止阀	15	2.5	BRONZE 青铜	1	5.4	L.S.M.G.O. SHORE CONN. (S) DRAIN		
FTV20	AS25015 GB/T 587-2008	STOP VALVE 截止阀	15	2.5	BRONZE 青铜	1	5.4	M.D.O. SHORE CONN. (P) DRAIN		
FTV21	AS25015 GB/T 587-2008	STOP VALVE 截止阀	15	2.5	BRONZE 青铜	1	5.4	M.D.O. SHORE CONN. (S) DRAIN		
FTV22	AQS200 GB/T5744-2008	QUICK-CLOSING VALVE 速闭阀	200	0.25	CAST STEEL 铸钢	1	61	SUC. FR. NO.1 H.F.O. TK(P)		
FTV23	AQS200 GB/T5744-2008	QUICK-CLOSING VALVE 速闭阀	200	0.25	CAST STEEL 铸钢	1	61	SUC. FR. NO.2 H.F.O. TK(P)		
FTV24	AQS200 GB/T5744-2008	QUICK-CLOSING VALVE 速闭阀	200	0.3	CAST STEEL 铸钢	1	61	SUC. FR. NO.2 H.F.O. TK(S)		

FUEL OIL TRANSFER SYSTEM 燃油输送系统								SC4622(WH)-461-02		PAGE
										6 / 17
ITEM NO. 编号	STANDARD NO. OR DRAWING NO. 标准号或图号	NAME 名称	DN 直径 mm	PN 压力 MPa	MATERIAL 材料	QTY. 数量	WT. 重量 kg	WORDS ON NAME PLATE 铭牌刻字内容	DELIVERY 供货	REMARKS 备注
FTV25	AQS200 GB/T5744-2008	QUICK-CLOSING VALVE 速闭阀	200	0.3	CAST STEEL 铸钢	1	61	SUC. FR. NO.1 H.F.O. TK(S)		
FTV26		BUTT. VALVE 蝶阀	150	1.0	CAST STEEL 铸钢	1		H.F.O TRANS. P. SUC.		
FTV27		BUTT. VALVE 蝶阀	150	1.0	CAST STEEL 铸钢	1		M.D.O./H.F.O. TRANS. P. SUC. CONN.		
FTV28	AS16150 GB/T 585-2008	STOP CHECK VALVE 截止止回阀	150	1.6	CAST STEEL 铸钢	1	66.6	H.F.O TRANS. P. DIS.		
FTV29		BUTT. VALVE 蝶阀	150	1.0	CAST STEEL 铸钢	1		M.D.O./H.F.O. TRANS. P. DIS. CONN.		
FTV30		BUTT. VALVE 蝶阀	150	1.0	CAST STEEL 铸钢	1		H.F.O. TRANS. P. TO H.F.O. SETT. TK		
FTV31		BUTT. VALVE 蝶阀	150	1.0	CAST STEEL 铸钢	1		NO.2 H.F.O. SETT. TK FILL.		
FTV32		BUTT. VALVE 蝶阀	150	1.0	CAST STEEL 铸钢	1		NO.1 H.F.O. SETT. TK FILL.		
FTV33	AQS125 GB/T5744-2008	QUICK-CLOSING VALVE 速闭阀	125	0.25	CAST STEEL 铸钢	1	47.5	SUC. FR. M.D.O. TK		
FTV34		BUTT. VALVE 蝶阀	150	1.0	CAST STEEL 铸钢	1		M.D.O. TRANS. P. SUC.		
FTV35	AS16150 GB/T 585-2008	STOP CHECK VALVE 截止止回阀	150	1.6	CAST STEEL 铸钢	1	66.6	M.D.O. TRANS. P. DIS.		
FTV36		BUTT. VALVE 蝶阀	125	1.0	CAST STEEL 铸钢	1		M.D.O. TRANS. P. TO M.D.O. SERV. TK		

FUEL OIL TRANSFER SYSTEM 燃油输送系统								SC4622(WH)-461-02		PAGE
										7 / 17
ITEM NO. 编号	STANDARD NO. OR DRAWING NO. 标准号或图号	NAME 名称	DN 直径 mm	PN 压力 MPa	MATERIAL 材料	QTY. 数量	WT. 重量 kg	WORDS ON NAME PLATE 铭牌刻字内容	DELIVERY 供货	REMARKS 备注
FTV37		BUTT. VALVE 蝶阀	125	1.0	CAST STEEL 铸钢	1		M.D.O. SERV. TK FILL.		
FTV38	AQS100 GB/T5744-2008	QUICK-CLOSING VALVE 速闭阀	100	0.25	CAST STEEL 铸钢	1	40.0	SUC. FR. L.S.M.G.O. TK		
FTV39		BUTT. VALVE 蝶阀	100	1.0	CAST STEEL 铸钢	1		L.S. M.G.O. TRANS. P. SUC.		
FTV40	AS16080 GB/T 585-2008	STOP CHECK VALVE 截止止回阀	80	1.6	CAST STEEL 铸钢	1	27.4	L.S. M.G.O. TRANS. P. DIS.		
FTV41		BUTT. VALVE 蝶阀	80	1.0	CAST STEEL 铸钢	1		L.S. M.G.O. SERV. TK FILL.		
FTV42	AQS150 GB/T5744-2008	QUICK-CLOSING VALVE 速闭阀	150	0.25	CAST STEEL 铸钢	1	61.0	SUC. FR. F.O. OVER. FLOW TK		
FTV43	AS25040 GB/T 584-2008	STOP VALVE 截止阀	40	2.5	CAST STEEL 铸钢	1	11.2	NO.2 H.F.O. SETT. TK DRAIN		
FTV44	AS25040 GB/T 584-2008	STOP VALVE 截止阀	40	2.5	CAST STEEL 铸钢	1	11.2	NO.2 H.F.O. SERV. TK DRAIN		
FTV45	AS25040 GB/T 584-2008	STOP VALVE 截止阀	40	2.5	CAST STEEL 铸钢	1	11.2	NO.1 H.F.O. SERV. TK DRAIN		
FTV46	AS25040 GB/T 584-2008	STOP VALVE 截止阀	40	2.5	CAST STEEL 铸钢	1	11.2	NO.1 H.F.O. SETT. TK DRAIN		
FTV47	AS25040 GB/T 584-2008	STOP VALVE 截止阀	40	2.5	CAST STEEL 铸钢	1	11.2	M.D.O. SERV. TK DRAIN		
FTV48	AS25040 GB/T 584-2008	STOP VALVE 截止阀	40	2.5	CAST STEEL 铸钢	1	11.2	L.S.M.G.O. SERV. TK DRAIN		

FUEL OIL TRANSFER SYSTEM 燃油输送系统								SC4622(WH)-461-02		PAGE
										8 / 17
ITEM NO. 编号	STANDARD NO. OR DRAWING NO. 标准号或图号	NAME 名称	DN 通径 mm	PN 压力 MPa	MATERIAL 材料	QTY. 数量	WT. 重量 kg	WORDS ON NAME PLATE 铭牌刻字内容	DELIVERY 供货	REMARKS 备注
FTV49	AS25040 GB/T 584-2008	STOP VALVE 截止阀	40	2.5	CAST STEEL 铸钢	1	11.2	M.D.O. TK FOR INCIN. DRAIN		
FTV50		BUTT. VALVE 蝶阀	150	1.0	CAST STEEL 铸钢	1		NO.1 H.F.O. TK.(P) FILLING & EXSUCTION.		
FTV51		BUTT. VALVE 蝶阀	150	1	CAST STEEL 铸钢	1		NO.1 H.F.O. TK.(S) FILLING & EXSUCTION.		
FTV52		SAFETY VALVE 安全阀	125		CAST STEEL 铸钢	1				SET 0.7 MPa
FTV53		SAFETY VALVE 安全阀	65		CAST STEEL 铸钢	1				SET 0.7 MPa
FTV54		SAFETY VALVE 安全阀	65		CAST STEEL 铸钢	1				SET 0.7 MPa
FTV55	AS25 CB/T 601-92	SELF-CLOSING VALVE 自闭式放泄阀	25	0.25	BRONZE 青铜	1	3.64	BUNK. STATION(P) OIL DRAIN		
FTV56	AS25 CB/T 601-92	SELF-CLOSING VALVE 自闭式放泄阀	25	0.25	BRONZE 青铜	1	3.64	BUNK. STATION(S) OIL DRAIN		
FTV57		BUTT. VALVE 蝶阀	150	1.0	CAST STEEL 铸钢	1		FROM NO.1 H.F.O. TK(P) TO H.F.O. TRAN. PUMP		
FTV58		BUTT. VALVE 蝶阀	150	1.0	CAST STEEL 铸钢	1		FROM NO.2 H.F.O. TK(P) TO H.F.O. TRAN. PUMP		
FTV59		BUTT. VALVE 蝶阀	150	1.0	CAST STEEL 铸钢	1		FROM NO.1 H.F.O. TK(S) TO H.F.O. TRAN. PUMP		
FTV60		BUTT. VALVE 蝶阀	150	1.0	CAST STEEL 铸钢	1		FROM NO.2 H.F.O. TK(S) TO H.F.O. TRAN. PUMP		

FUEL OIL TRANSFER SYSTEM 燃油输送系统								SC4622(WH)-461-02		PAGE
										9/17
ITEM NO. 编号	STANDARD NO. OR DRAWING NO. 标准号或图号	NAME 名称	DN 口径 mm	PN 压力 MPa	MATERIAL 材料	QTY. 数量	WT. 重量 kg	WORDS ON NAME PLATE 铭牌刻字内容	DELIVERY 供货	REMARKS 备注
FTF01	AS10200 GB/T4450-2008	BLANK FLANGE 盲板法兰	200	1.0	STEEL 钢	1	15.89			
FTF02	AS10200 GB/T4450-2008	BLANK FLANGE 盲板法兰	200	1.0	STEEL 钢	1	15.89			
FTF03	AS10100 GB/T4450-2008	BLANK FLANGE 盲板法兰	100	1.0	STEEL 钢	1	5.64			
FTF04	AS10100 GB/T4450-2008	BLANK FLANGE 盲板法兰	100	1.0	STEEL 钢	1	5.64			
FTF05	AS10100 GB/T4450-2008	BLANK FLANGE 盲板法兰	100	1.0	STEEL 钢	1	5.64			
FTF06	AS10100 GB/T4450-2008	BLANK FLANGE 盲板法兰	100	1.0	STEEL 钢	1	5.64			
FTF07	Y-100	PRESS.GAUGE & COCK 压力表及旋塞	6		ASSEMBLY 组合件	1	0.32			0~1.0MPa
FTF08	Y-100	PRESS.GAUGE & COCK 压力表及旋塞	6		ASSEMBLY 组合件	1	0.32			0~1.0MPa
FTF09	Y-100	PRESS.GAUGE & COCK 压力表及旋塞	6		ASSEMBLY 组合件	1	0.32			0~1.0MPa
FTF10	Y-100	PRESS.GAUGE & COCK 压力表及旋塞	6		ASSEMBLY 组合件	1	0.32			0~1.0MPa
FTF11	Y-100	PRESS.GAUGE & COCK 压力表及旋塞	6		ASSEMBLY 组合件	1	0.32			0~1.0MPa
FTF12	Y-100	PRESS.GAUGE & COCK 压力表及旋塞	6		ASSEMBLY 组合件	1	0.32			0~1.0MPa

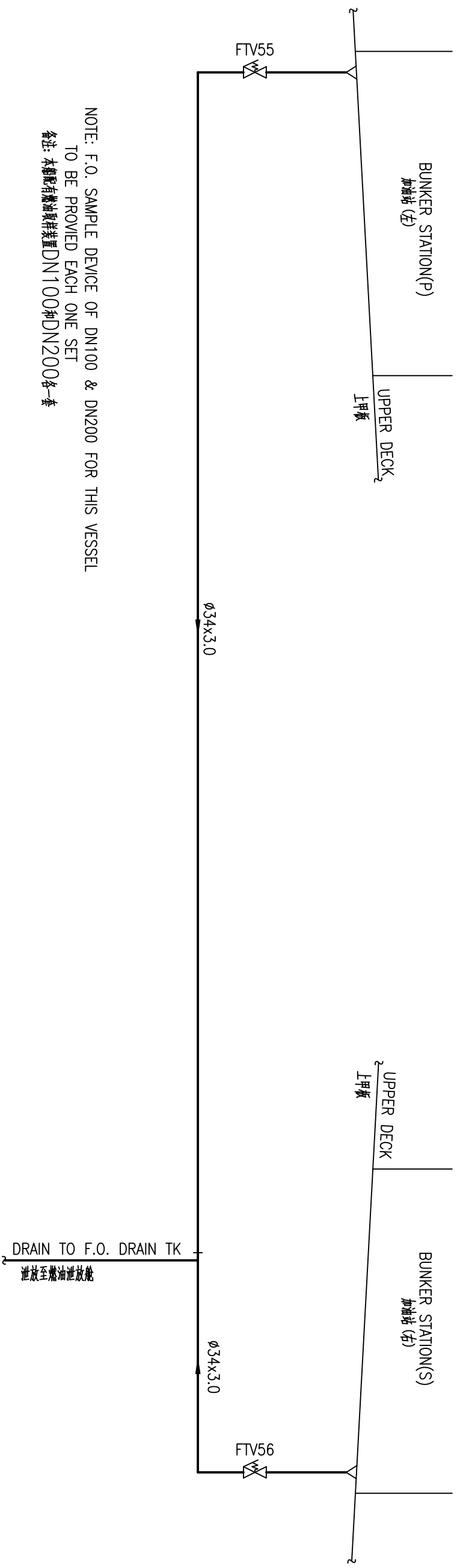
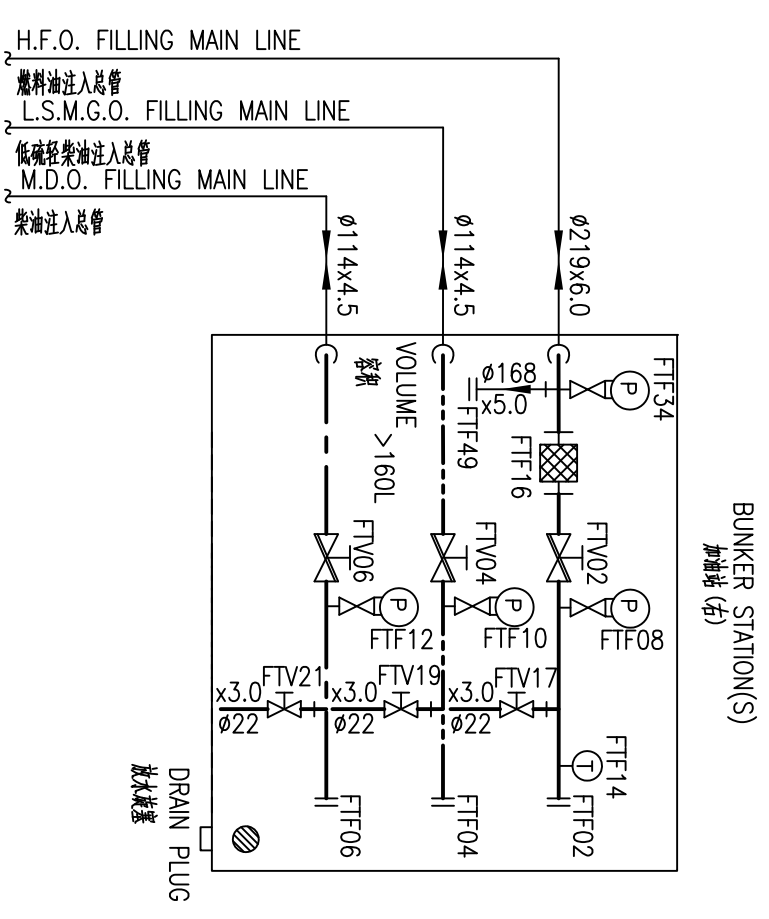
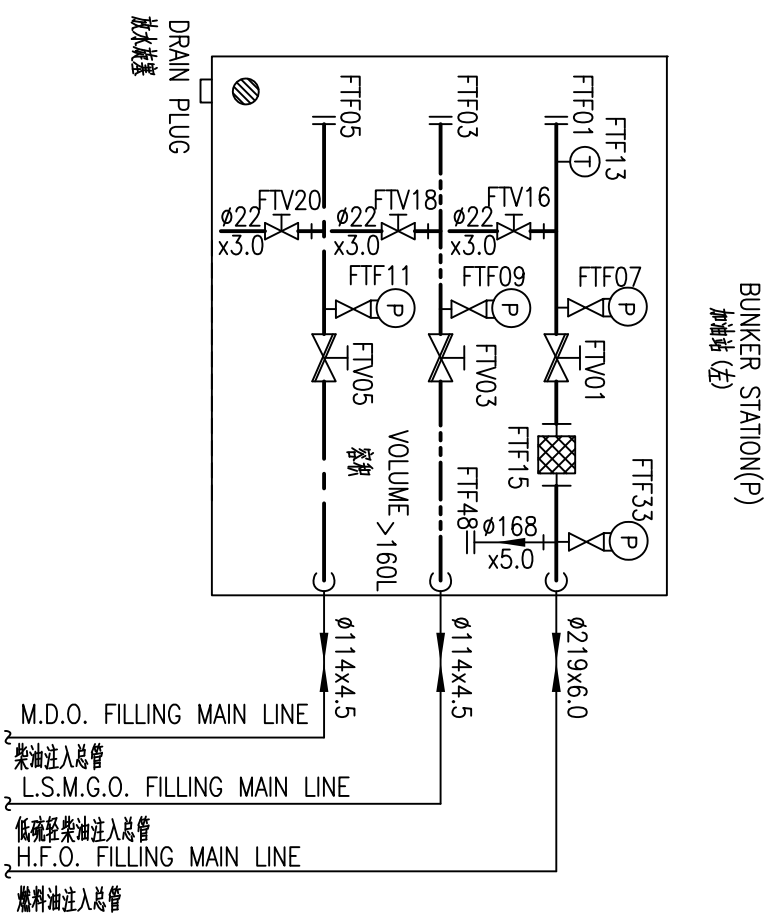
FUEL OIL TRANSFER SYSTEM 燃油输送系统								SC4622(WH)-461-02		PAGE
										10/17
ITEM NO. 编号	STANDARD NO. OR DRAWING NO. 标准号或图号	NAME 名称	DN 口径 mm	PN 压力 MPa	MATERIAL 材料	QTY. 数量	WT. 重量 kg	WORDS ON NAME PLATE 铭牌刻字内容	DELIVERY 供货	REMARKS 备注
FTF13	WNG-12	THERMOMETER 温度计	G3/4"		ASSEMBLY 组合件	1				0~100℃
FTF14	WNG-12	THERMOMETER 温度计	G3/4"		ASSEMBLY 组合件	1				0~100℃
FTF15		SIMPLEX STRAINER 单联滤器	200		STEEL 钢	1				Φ4
FTF16		SIMPLEX STRAINER 单联滤器	200		STEEL 钢	1				Φ4
FTF17	AS200Y CB/T495-1995	BELL MOUTH	200		STEEL 钢	1	9.99			
FTF18	AS200Y CB/T495-1995	BELL MOUTH	200		STEEL 钢	1	9.99			
FTF19	AS200Y CB/T495-1995	BELL MOUTH	200		STEEL 钢	1	9.99			
FTF20	AS200Y CB/T495-1995	BELL MOUTH	200		STEEL 钢	1	9.99			
FTF21		SIMPLEX STRAINER 单联滤器	150		STEEL 钢	1				32 MESH
FTF22	BS10150 GB/T4450-2008	SPEC. BLANK FLANGE 双联盲板法兰	150	1.0	STEEL 钢	1	6.91			
FTF23	BS10150 GB/T4450-2008	SPEC. BLANK FLANGE 双联盲板法兰	150	1.0	STEEL 钢	1	6.91			
FTF24		SIMPLEX STRAINER 单联滤器	150	1.0	STEEL 钢	1				60 MESH

FUEL OIL TRANSFER SYSTEM 燃油输送系统								SC4622(WH)-461-02		PAGE
										11/17
ITEM NO. 编号	STANDARD NO. OR DRAWING NO. 标准号或图号	NAME 名称	DN 口径 mm	PN 压力 MPa	MATERIAL 材料	QTY. 数量	WT. 重量 kg	WORDS ON NAME PLATE 铭牌刻字内容	DELIVERY 供货	REMARKS 备注
FTF25		SIMPLEX STRAINER 单联滤器	100	1.0	STEEL 钢	1				60 MESH
FTF26	BS10040 GB/T4450-2008	SPEC. BLANK FLANGE 双联盲板法兰	40	1.0	STEEL 钢	1	0.72			
FTF27	BS10040 GB/T4450-2008	SPEC. BLANK FLANGE 双联盲板法兰	40	1.0	STEEL 钢	1	0.72			
FTF28	BS10040 GB/T4450-2008	SPEC. BLANK FLANGE 双联盲板法兰	40	1.0	STEEL 钢	1	0.72			
FTF29	BS10040 GB/T4450-2008	SPEC. BLANK FLANGE 双联盲板法兰	40	1.0	STEEL 钢	1	0.72			
FTF30	BS10040 GB/T4450-2008	SPEC. BLANK FLANGE 双联盲板法兰	40	1.0	STEEL 钢	1	0.72			
FTF31	BS10040 GB/T4450-2008	SPEC. BLANK FLANGE 双联盲板法兰	40	1.0	STEEL 钢	1	0.72			
FTF32	BS10040 GB/T4450-2008	SPEC. BLANK FLANGE 双联盲板法兰	40	1.0	STEEL 钢	1	0.72			
FTF33	Y-100	PRESS.GAUGE & COCK 压力表及旋塞	6		ASSEMBLY 组合件	1	0.32			0~1.0MPa
FTF34	Y-100	PRESS.GAUGE & COCK 压力表及旋塞	6		ASSEMBLY 组合件	1	0.32			0~1.0MPa
FTF35	YZ-100 -0.1~0.1MPa	VACUUM GAUGE & COCK 压力真空表及旋塞	6		ASSEMBLY 组合件	1	0.32			
FTF36	YZ-100 -0.1~0.1MPa	VACUUM GAUGE & COCK 压力真空表及旋塞	6		ASSEMBLY 组合件	1	0.32			

FUEL OIL TRANSFER SYSTEM 燃油输送系统								SC4622(WH)-461-02		PAGE
										12/17
ITEM NO. 编号	STANDARD NO. OR DRAWING NO. 标准号或图号	NAME 名称	DN 口径 mm	PN 压力 MPa	MATERIAL 材料	QTY. 数量	WT. 重量 kg	WORDS ON NAME PLATE 铭牌刻字内容	DELIVERY 供货	REMARKS 备注
FTF37	YZ-100 -0.1~0.1MPa	VACUUM GAUGE & COCK 压力真空表及旋塞	6		ASSEMBLY 组合件	1	0.32			
FTF38	AS150Y CB/T495-1995	BELL MOUTH	150		STEEL 钢	1	9.99			
FTF39		MAGNETIC FLOAT LEVEL GAUGE 磁性浮 子液位计				1				
FTF40		MAGNETIC FLOAT LEVEL GAUGE 磁性浮 子液位计				1				
FTF41		MAGNETIC FLOAT LEVEL GAUGE 磁性浮 子液位计				1				
FTF42		MAGNETIC FLOAT LEVEL GAUGE 磁性浮 子液位计				1				
FTF43		PLAIN GLASS LEVEL GAUGE 平板式液位计				1				
FTF44		PLAIN GLASS LEVEL GAUGE 平板式液位计				1				
FTF45		PLAIN GLASS LEVEL GAUGE 平板式液位计				1				
FTF46		PLAIN GLASS LEVEL GAUGE 平板式液位计				1				
FTF47		PLAIN GLASS LEVEL GAUGE 平板式液位计				1				
FTF48	AS10150 GB/T4450-2008	BLANK FLANGE 盲板法兰	150	1.0	STEEL 钢	1	10.37			

FUEL OIL TRANSFER SYSTEM 燃油输送系统								SC4622(WH)-461-02		PAGE
										13/17
ITEM NO. 编号	STANDARD NO. OR DRAWING NO. 标准号或图号	NAME 名称	DN 通径 mm	PN 压力 MPa	MATERIAL 材料	QTY. 数量	WT. 重量 kg	WORDS ON NAME PLATE 铭牌刻字内容	DELIVERY 供货	REMARKS 备注
FTF49	AS10150 GB/T4450-2008	BLANK FLANGE 盲板法兰	150	1.0	STEEL 钢	1	10.37			
FTF50	AS10015 GB/T4450-2008	BLANK FLANGE 盲板法兰	15	1.0	STEEL 钢	1	0.64			
FTF51	AS10015 GB/T4450-2008	BLANK FLANGE 盲板法兰	15	1.0	STEEL 钢	1	0.64			
FTF52	AS10015 GB/T4450-2008	BLANK FLANGE 盲板法兰	15	1.0	STEEL 钢	1	0.64			
FTF53	AS10015 GB/T4450-2008	BLANK FLANGE 盲板法兰	15	1.0	STEEL 钢	1	0.64			
FTF54		SIGHT GLASS 液流视察器	125		CAST IRON 铸铁	1				
FTF55		SIGHT GLASS 液流视察器	150		CAST IRON 铸铁	1				
FTF56		SIGHT GLASS 液流视察器	100		CAST IRON 铸铁	1				
FTF57		SIGHT GLASS 液流视察器	125		CAST IRON 铸铁	1				
FTF58		SIGHT GLASS 液流视察器	200		CAST IRON 铸铁	1				
FTF59		SIGHT GLASS 液流视察器	200		CAST IRON 铸铁	1				
FTF60		SIGHT GLASS 液流视察器	250		CAST IRON 铸铁	1				

FUEL OIL TRANSFER SYSTEM 燃油输送系统					SC4622(WH)-461-02			PAGE
								15 / 17
NO. 序号	APPLICATION OF PIPES 管子用途	NOM. DIA. 通径 mm	O.D. & THK. 外径x壁厚 mmxmm	MATERIAL 材料	TYPE 牌号	ABOUT LENGTH 近似长度 m	WEIGHT 重量 kg	REMARKS 备注
1	F.O. TRANS. PIPE 燃油输送管	250	273 x 6.5	SEAMLESS STEEL 无缝钢管		35	1495.1	
2	F.O. TRANS. PIPE 燃油输送管	200	219 x 6	SEAMLESS STEEL 无缝钢管		150	4727.3	
3	F.O. TRANS. PIPE 燃油输送管	150	168 x 5	SEAMLESS STEEL 无缝钢管		65	1306.4	
3	F.O. TRANS. PIPE 燃油输送管	150	168 x 7	SEAMLESS STEEL 无缝钢管		20	555.8	
4	F.O. TRANS. PIPE 燃油输送管	125	140 x 6.5	SEAMLESS STEEL 无缝钢管		20	428.0	
5	F.O. TRANS. PIPE 燃油输送管	125	140 x 4.5	SEAMLESS STEEL 无缝钢管		15	225.5	
6	F.O. TRANS. PIPE 燃油输送管	100	114 x 6	SEAMLESS STEEL 无缝钢管		20	319.6	
7	F.O. TRANS. PIPE 燃油输送管	100	114 x 4.5	SEAMLESS STEEL 无缝钢管		75	911.3	
8	F.O. TRANS. PIPE 燃油输送管	80	89 x 5.5	SEAMLESS STEEL 无缝钢管		15	169.9	
9	F.O. TRANS. PIPE 燃油输送管	65	76 x 4.5	SEAMLESS STEEL 无缝钢管		5	39.7	
10	F.O. TRANS. PIPE 燃油输送管	50	60 x 4	SEAMLESS STEEL 无缝钢管		15	82.9	
11	F.O. TRANS. PIPE 燃油输送管	40	48 x 3.5	SEAMLESS STEEL 无缝钢管		15	57.6	
12	F.O. TRANS. PIPE 燃油输送管	25	34 x 3.5	SEAMLESS STEEL 无缝钢管		10	26.3	
13	F.O. TRANS. PIPE 燃油输送管	15	22 x 3	SEAMLESS STEEL 无缝钢管		5	7.0	



NOTE: F.O. SAMPLE DEVICE OF DN100 & DN200 FOR THIS VESSEL
TO BE PROVIDED EACH ONE SET
备注: 本船配有燃油取样装置DN100和DN200各一套

BUNKER STATION(P)
加油站(左)

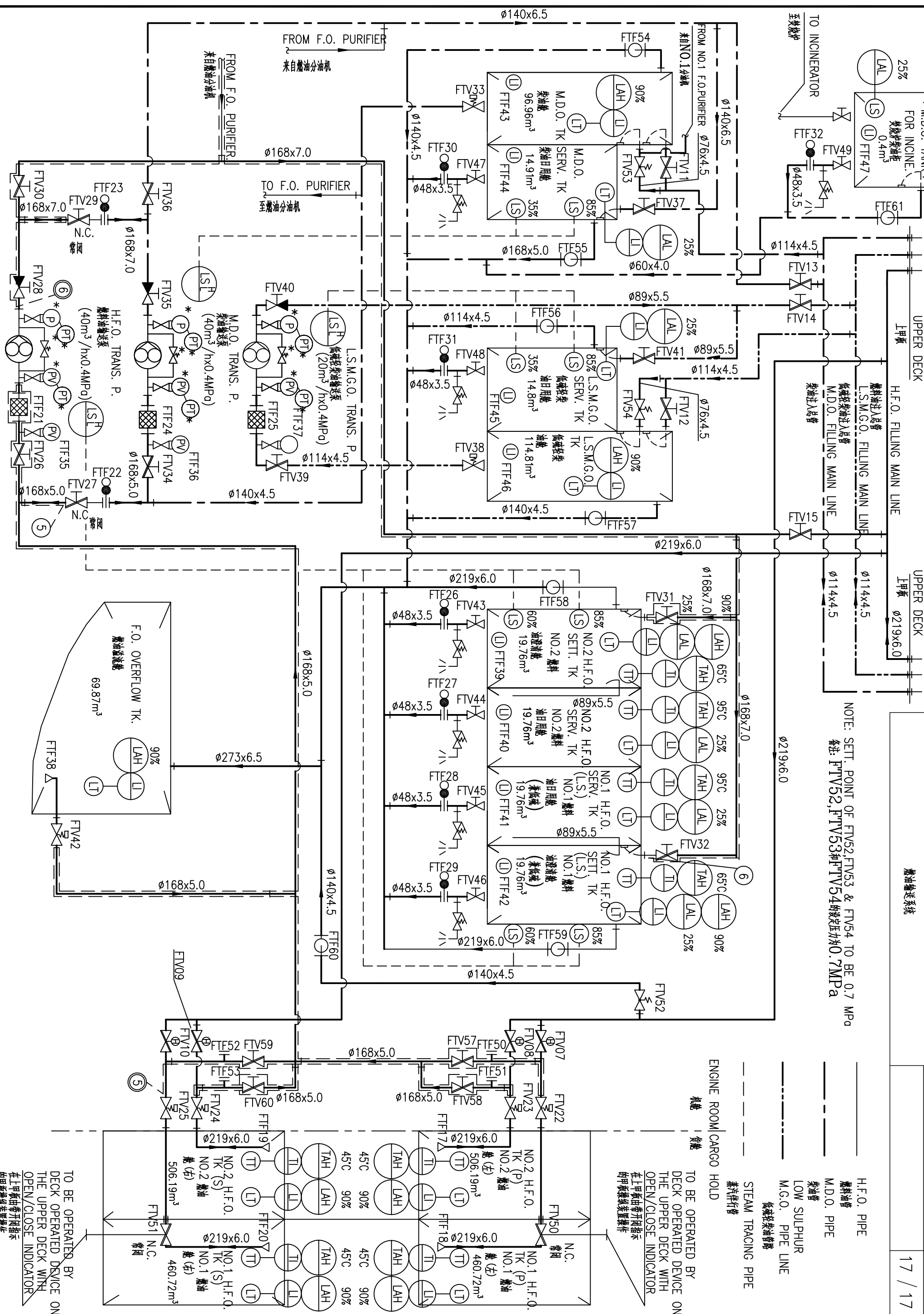
BUNKER STATION(S)
加油站(右)

FUEL OIL TRANSFER SYSTEM

SC4622(WH)-461-02

PAGE 17 / 17

NOTE: SETT. POINT OF FTV52, FTV53 & FTV54 TO BE 0.7 MPa
备注: FTV52, FTV53和FTV54的设定压力为0.7MPa



- H.F.O. PIPE
- 燃料油管
- M.D.O. PIPE
- 柴油管
- LOW SULPHUR
- M.G.O. PIPE LINE
- 低硫柴油管
- STEAM TRACING PIPE
- 蒸汽伴行管
- ENGINE ROOM CARGO HOLD
- 机舱 货舱

TO BE OPERATED BY DECK OPERATED DEVICE ON THE UPPER DECK WITH OPEN/CLOSE INDICATOR
在上甲板由带开闭指示的甲板操纵装置操作

TO BE OPERATED BY DECK OPERATED DEVICE ON THE UPPER DECK WITH OPEN/CLOSE INDICATOR
在上甲板由带开闭指示的甲板操纵装置操作

AREA: 0.125m²